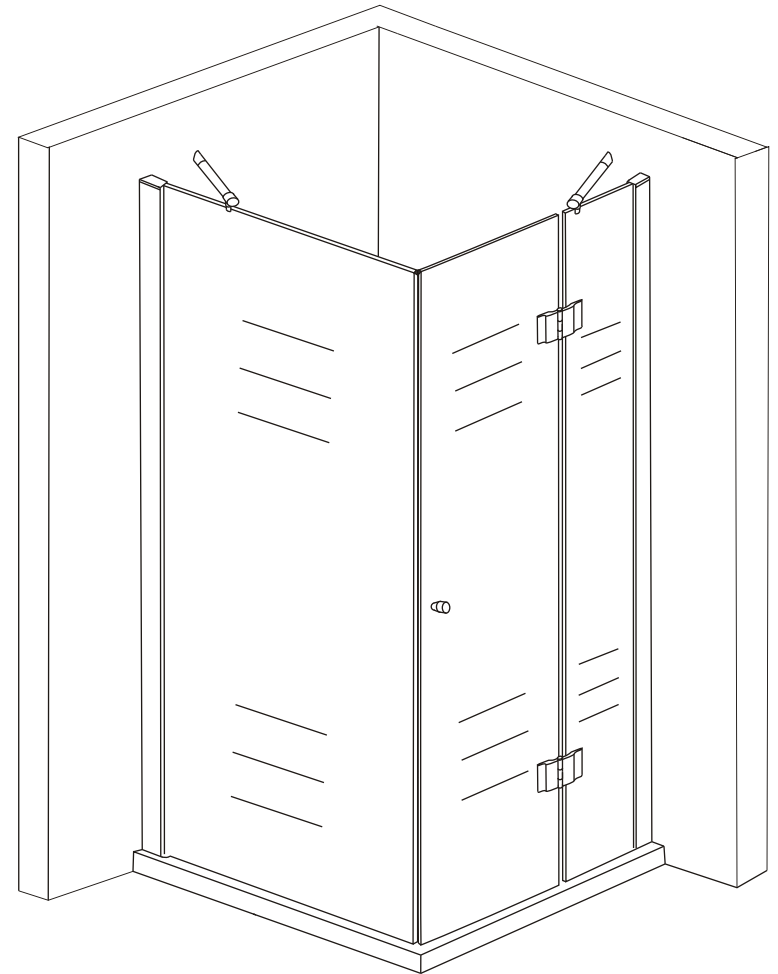


INSTALLATION MANUAL

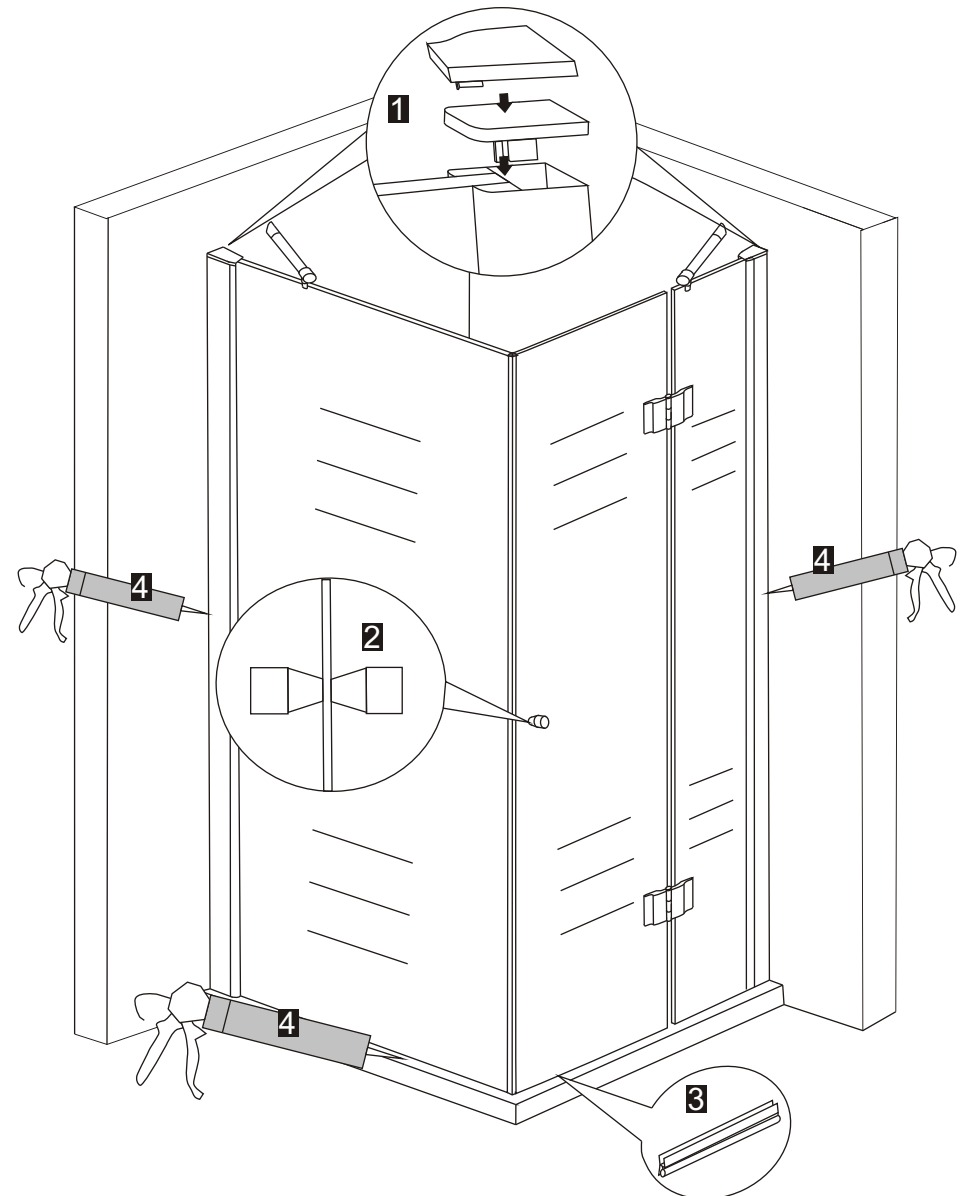
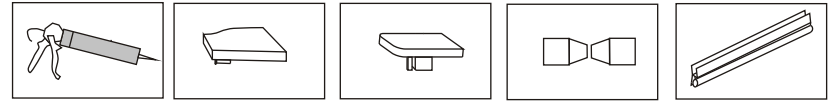
 **DocciaBox**
ACQUISTA DIRETTAMENTE DALLA FABBRICA
ACQUISTA DIRETTAMENTE DALLA FABBRICA



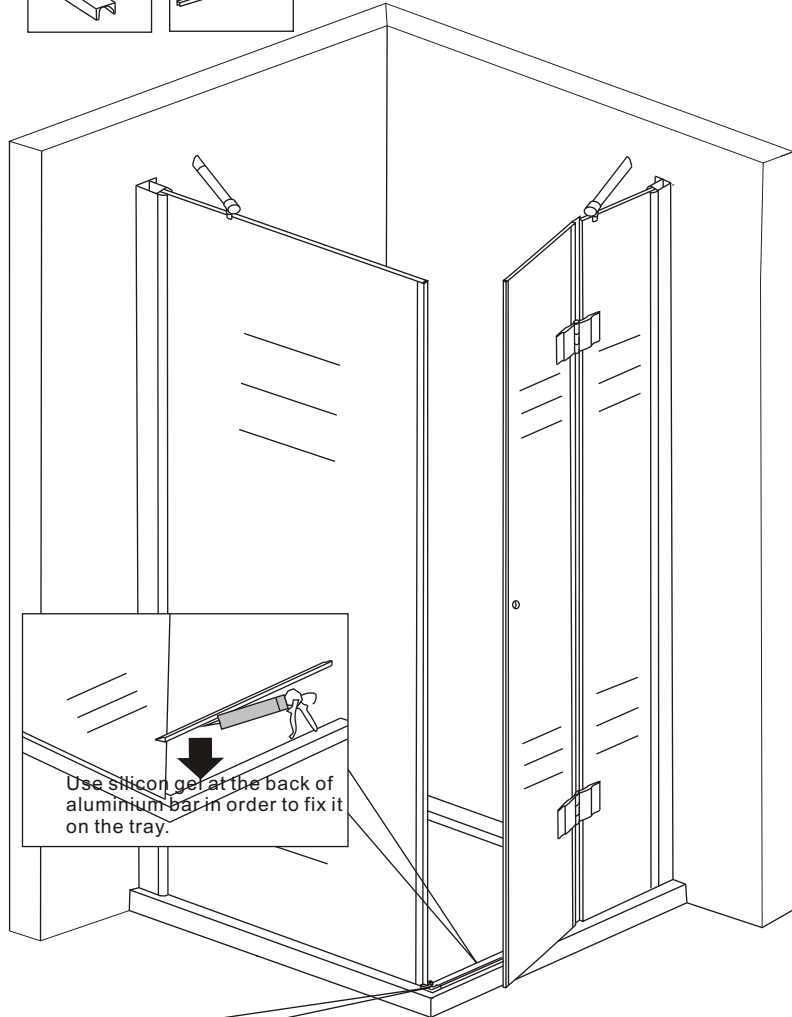
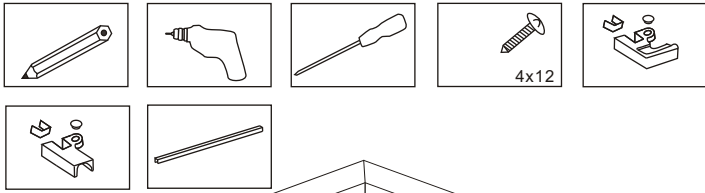
BL-049

RoHS   ISO9001:2000

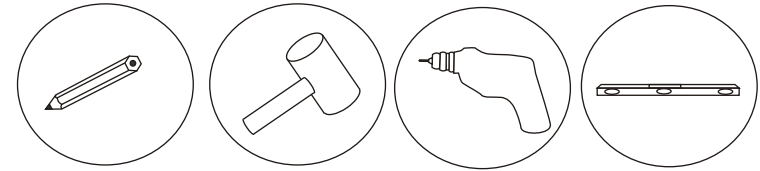
1. Install the caps on the aluminium top.
2. Install the handle.
3. Install the gasket at the bottom of glass door.
4. Use silicon gel to seal the wall aluminium profile and fixed the glass.



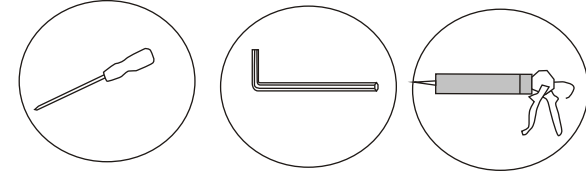
1. Install aluminium water-proof bar on the tray and fixed the plastic part.
Please note that there are 2 sets of plastic part, please choose right one for your shower enclosure.



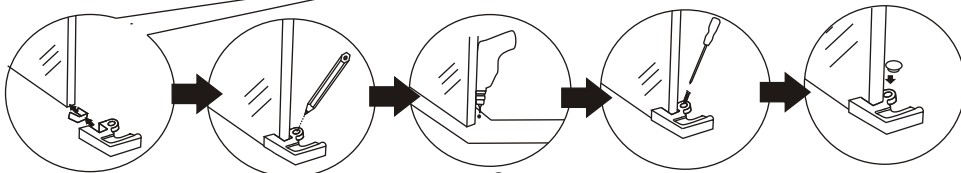
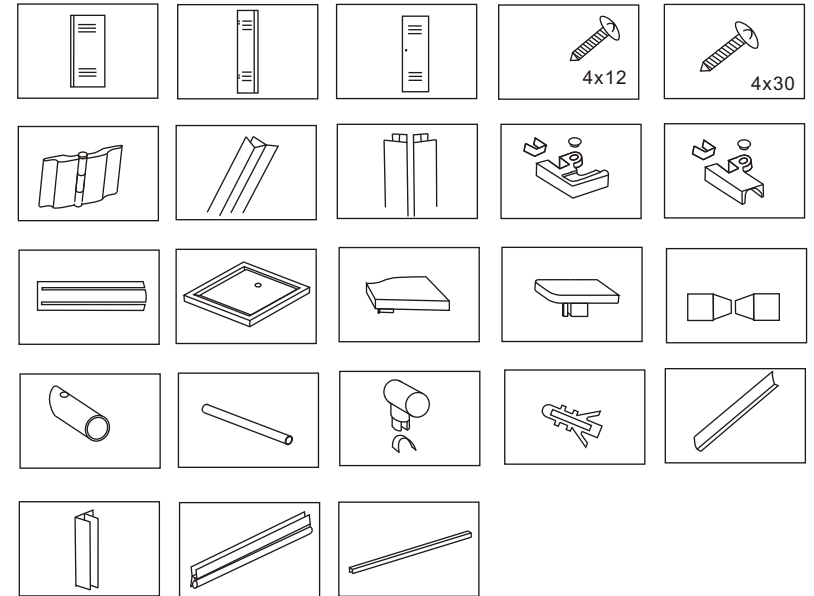
Use silicon gel at the back of aluminium bar in order to fix it on the tray.



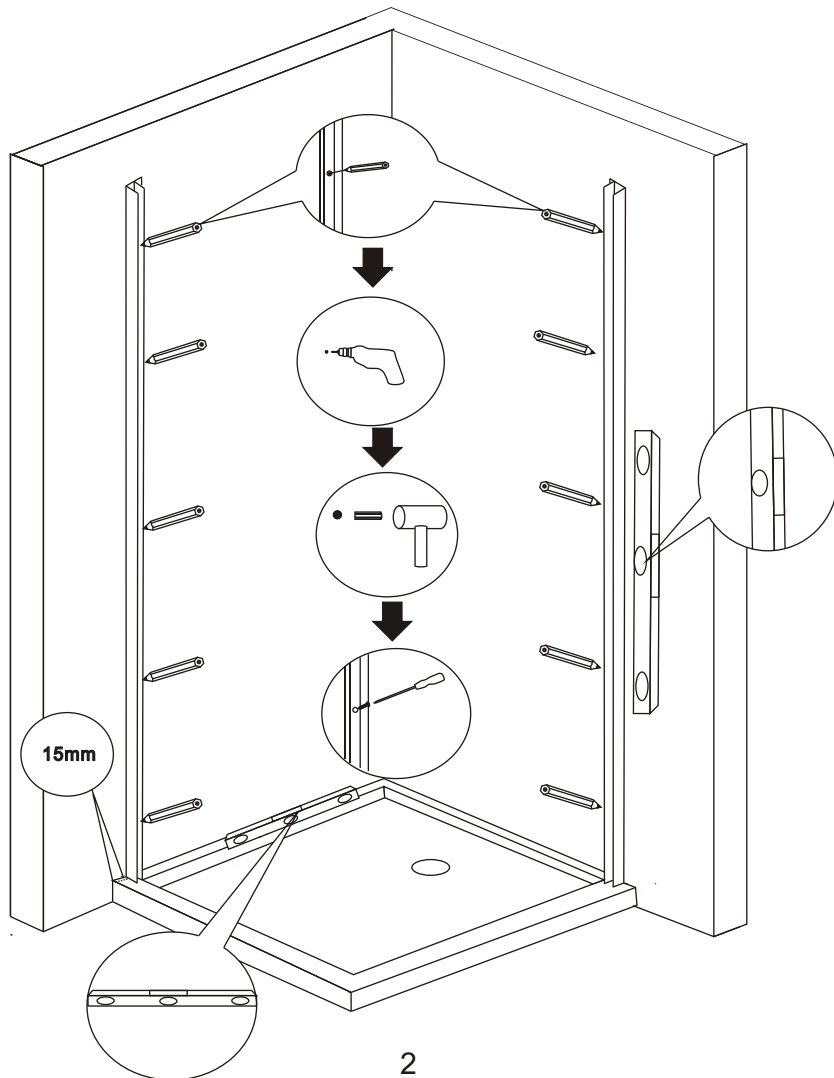
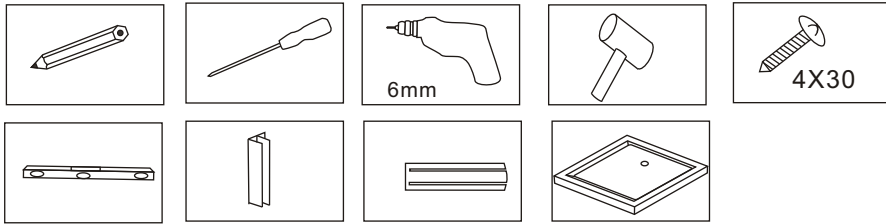
Pencil Rubber hammer Drill machine Level ruler



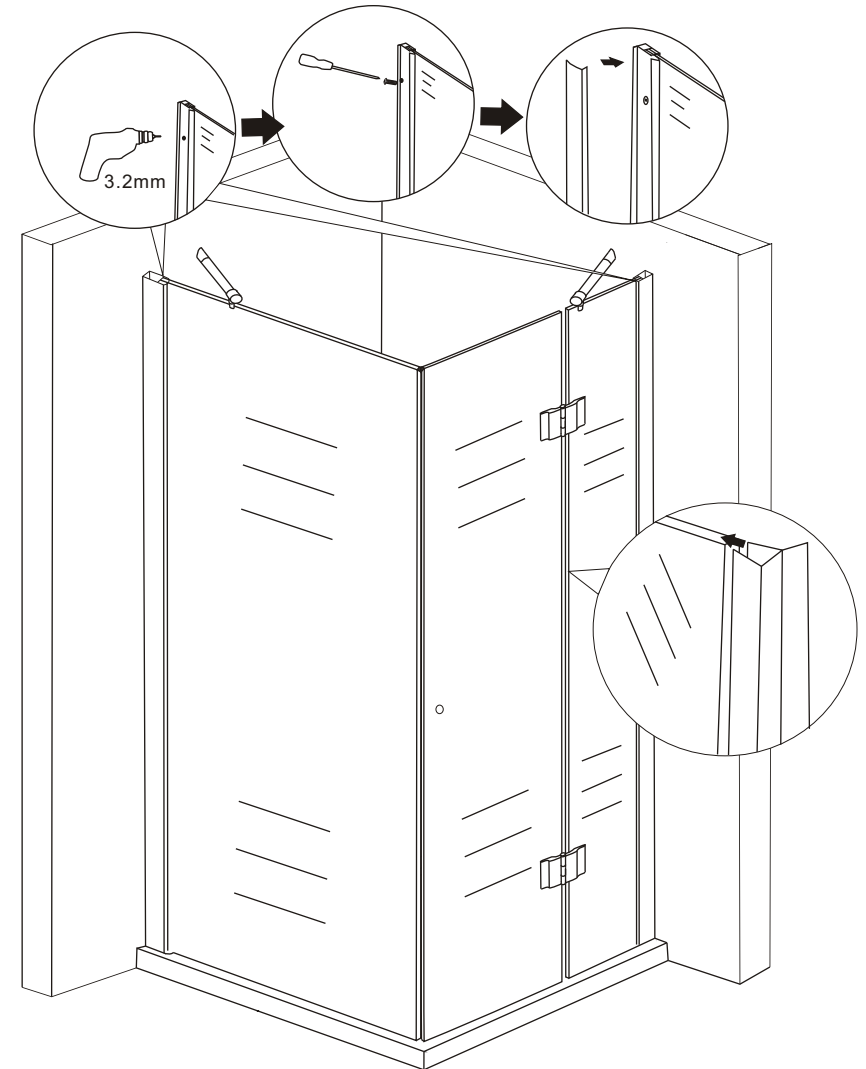
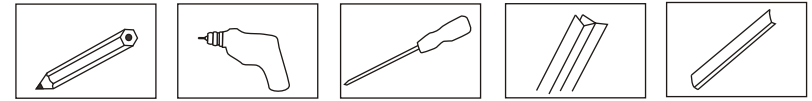
Cross screw driver Inner hexagon spanner (In the package) Silicon gel



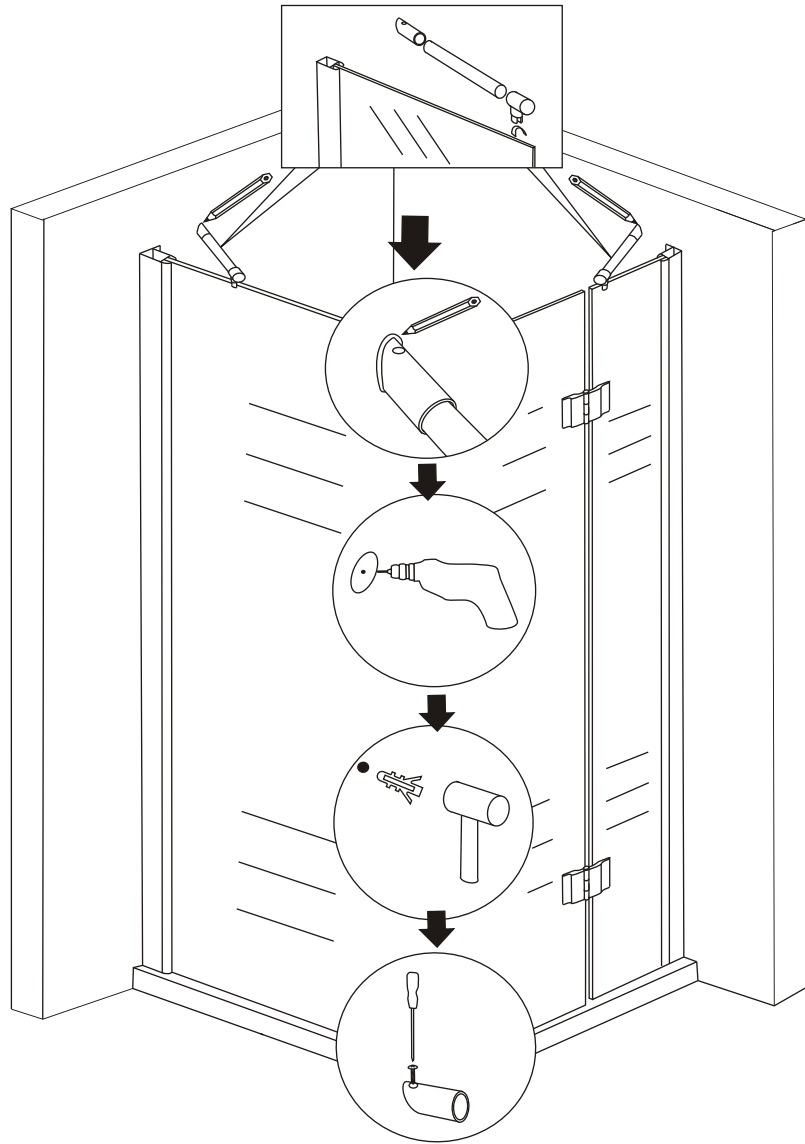
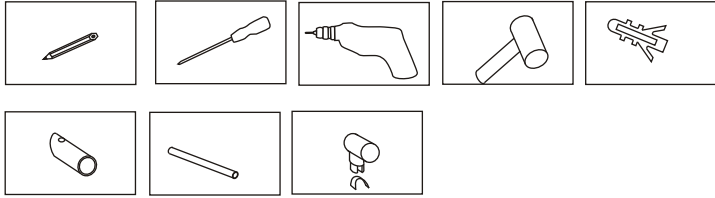
1. Put tray on the installation position.
2. Put aluminium profile on the wall and use level ruler to make it straight.
3. Use pencil draw holes on the wall.
4. Use 6mm drill bit to make holes on the wall.
5. Insert screw space pipe in the wall and screw it.



1. Fixed the wall aluminium profiles at the inner side and install the aluminium cover.
2. Install the water proof gasket at the glass door side.

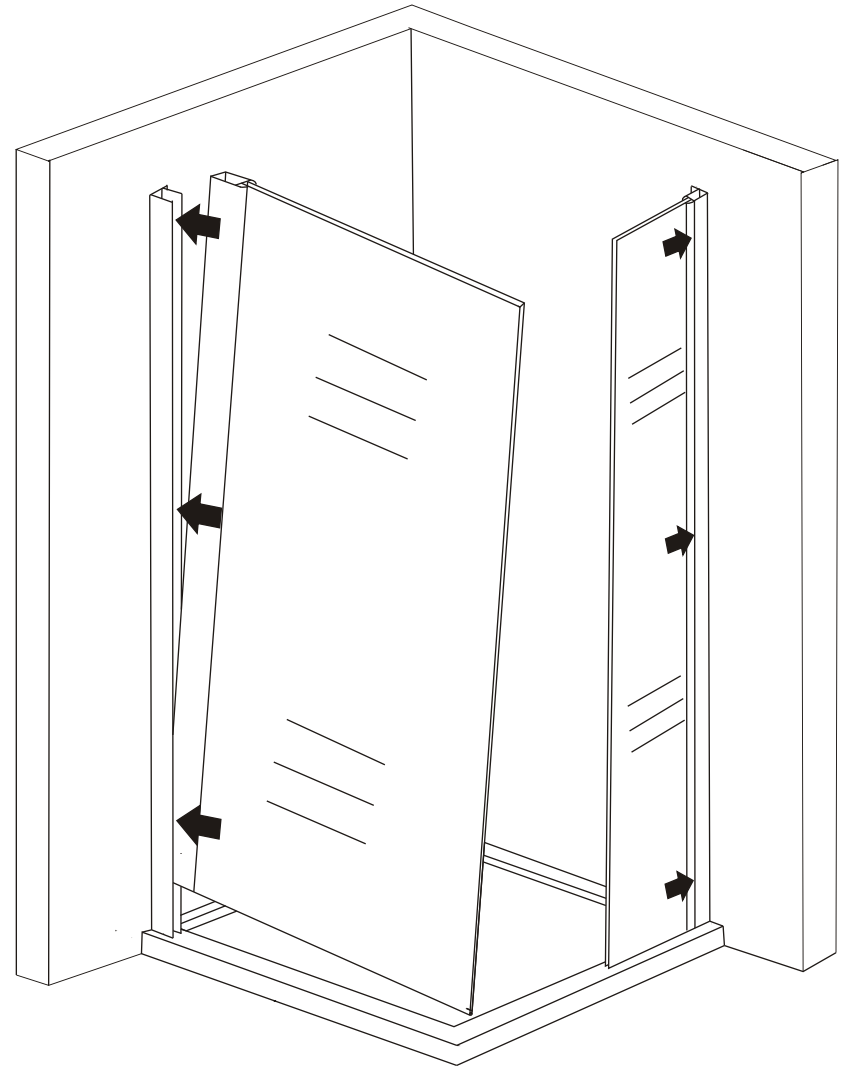
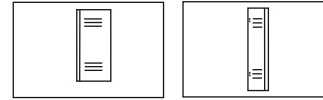


1. Install the top support bar.



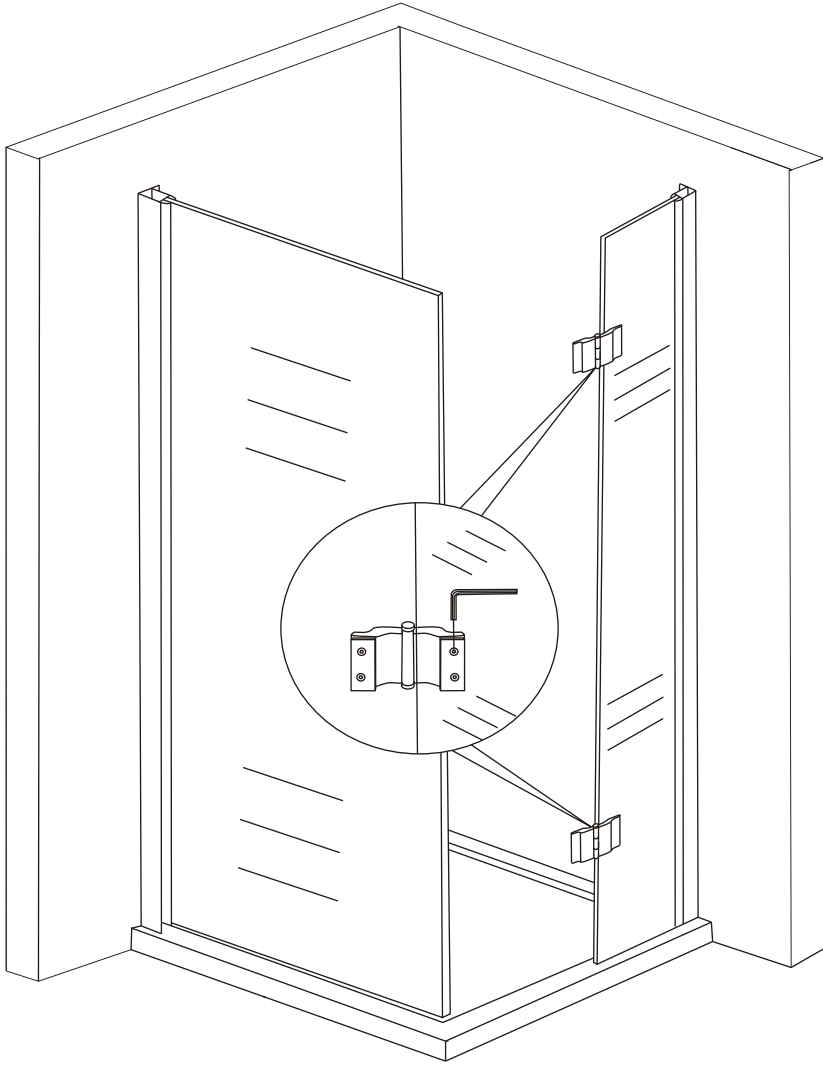
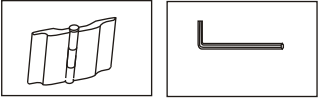
6

1. Install the fixed glass into the wall aluminium profile.



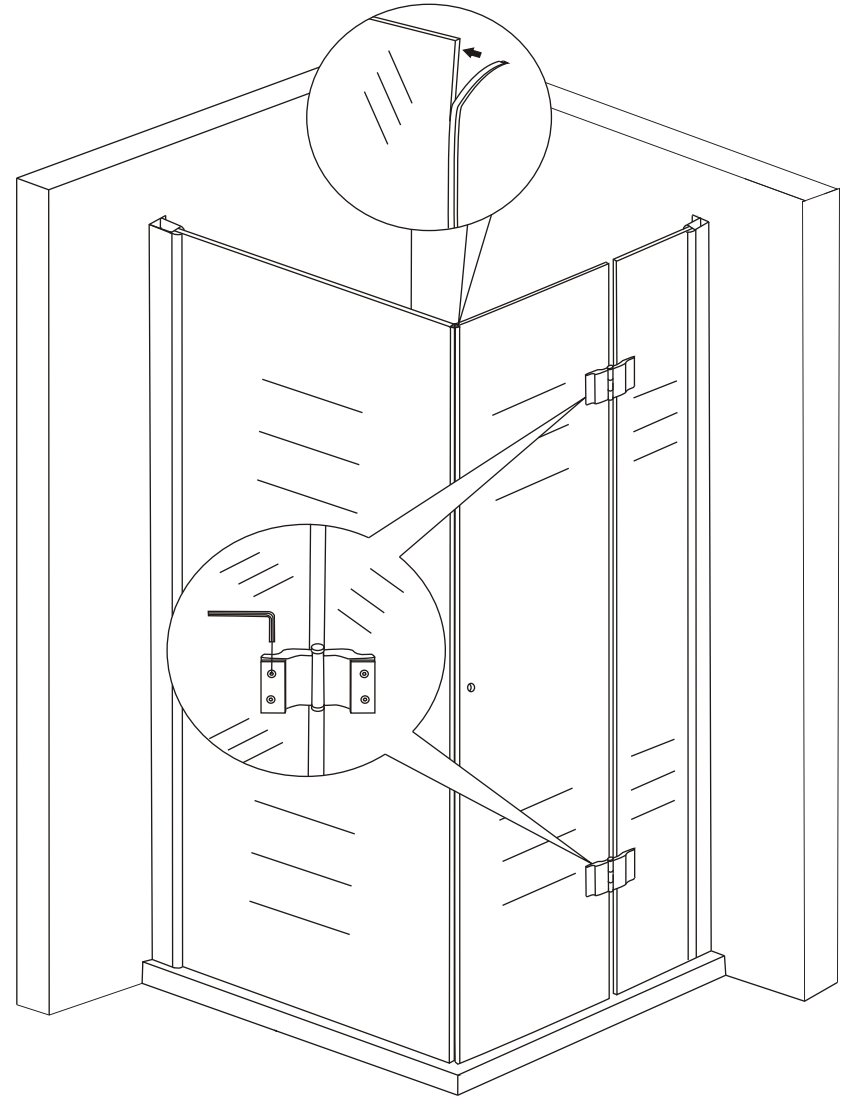
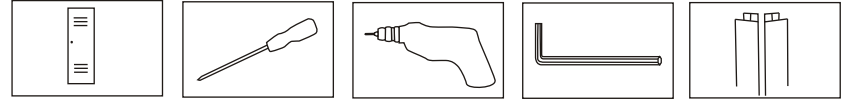
3

1. Install the hinge on the fixed glass.



4

1. Install the glass door and fix it with hinge.
2. Install the megatic gasket on the door.



5